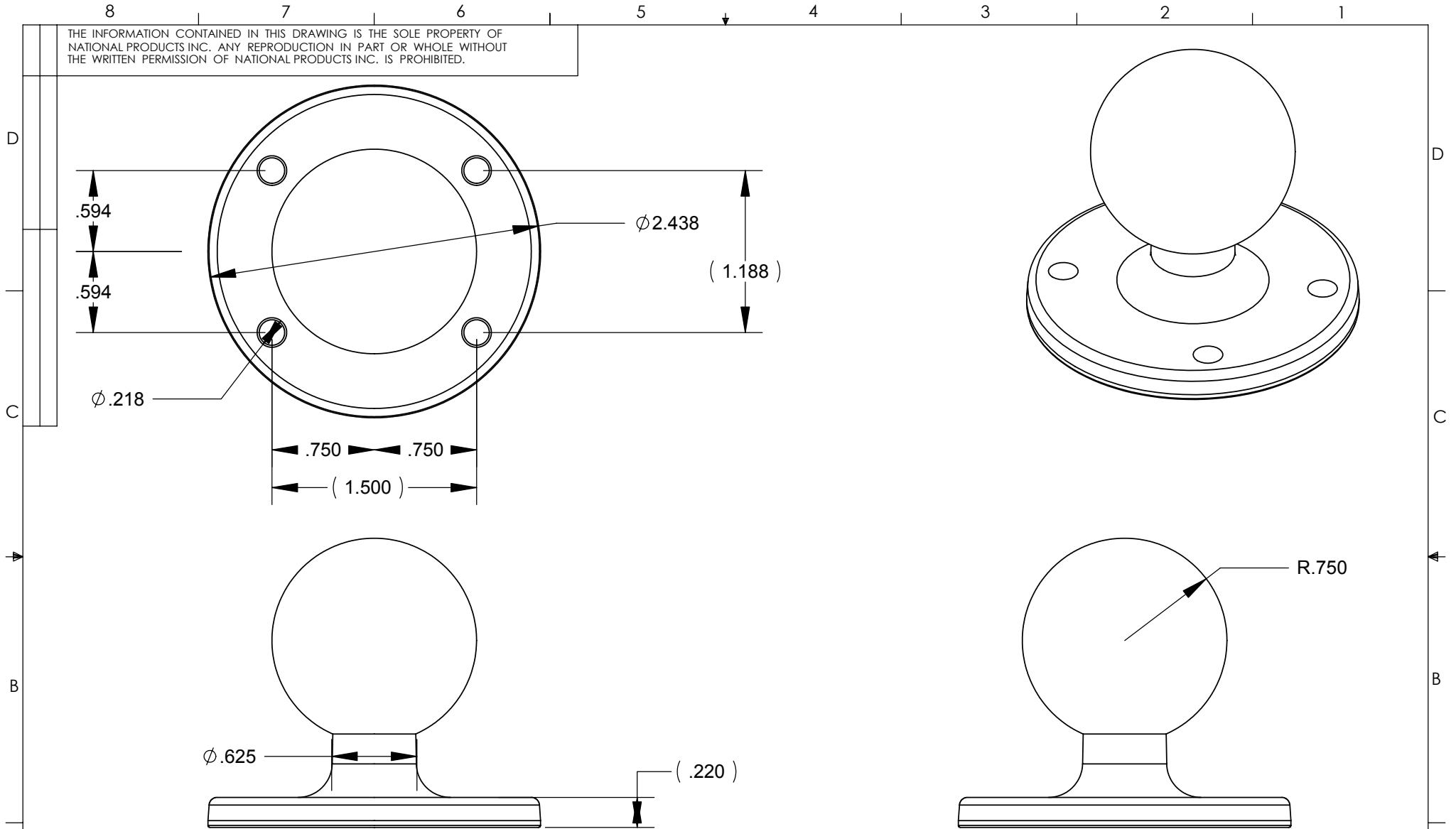


THE INFORMATION CONTAINED IN THIS DRAWING IS THE SOLE PROPERTY OF NATIONAL PRODUCTS INC. ANY REPRODUCTION IN PART OR WHOLE WITHOUT THE WRITTEN PERMISSION OF NATIONAL PRODUCTS INC. IS PROHIBITED.



NEXT ASSY	USED ON
APPLICATION	

ITEM NO.	PART OR IDENTIFYING NO.	NOMENCLATURE OR DESCRIPTION	MATERIAL SPECIFICATION	QTY REQD
PARTS LIST				
UNLESS OTHERWISE SPECIFIED DIMENSIONS ARE IN INCHES		CAD GENERATED DRAWING, DO NOT MANUALLY UPDATE		NATIONAL PRODUCTS INC. 1017 S. ELMGROVE ST. SEATTLE, WA 98108
TOLERANCES ARE:		APPROVALS	DATE	
FRACTIONS	DECIMALS	ANGLES		RAM 2 7/16" DIAMETER BASE PLATE W/ AMPS HOLE PATTERN & 1 1/2" DIAMETER NITRILE RUBBER BALL
+ - 1/32	.XX+ -.06	+ - 1 DEG.	DRAWN JDC 04/20/01	
.XXX+ - .030			CHECKED CMR 04/20/01	
			RESP ENG	
MATERIAL	ALUMINUM		MFG ENG	
FINISH	BLACK POWDER COAT		QUAL ENG	
DO NOT SCALE DRAWING				
SIZE A	DWG. NO.	RAM-202AMPS		REV.
SCALE	CAD FILE:	RAM202AMPS	SHEET 1	OF 1