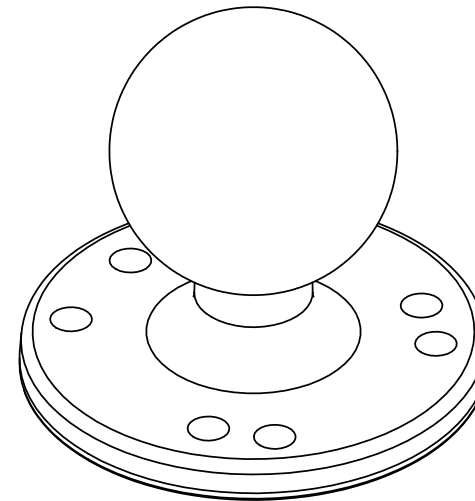
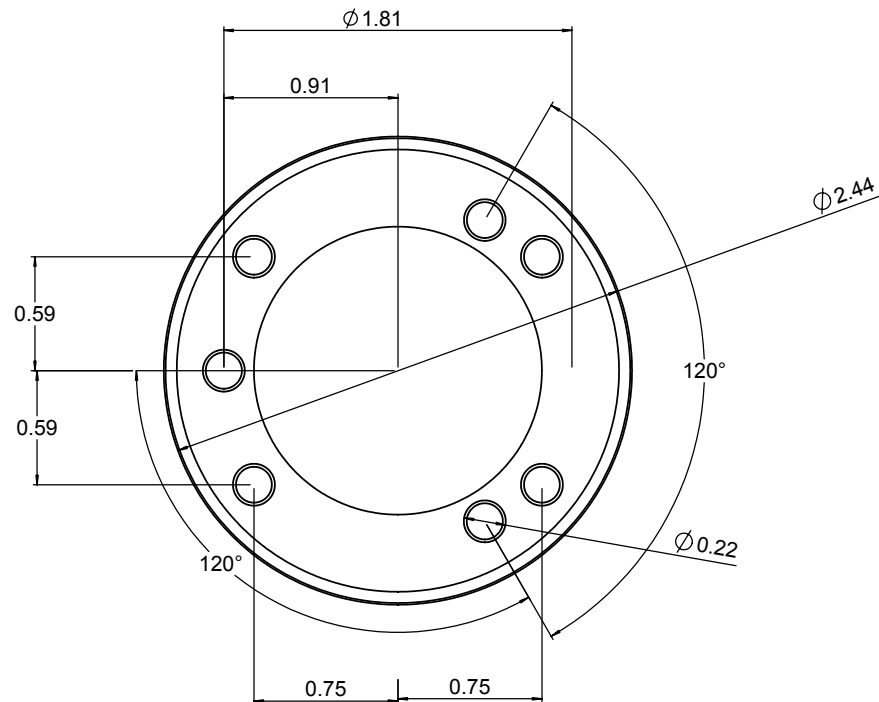
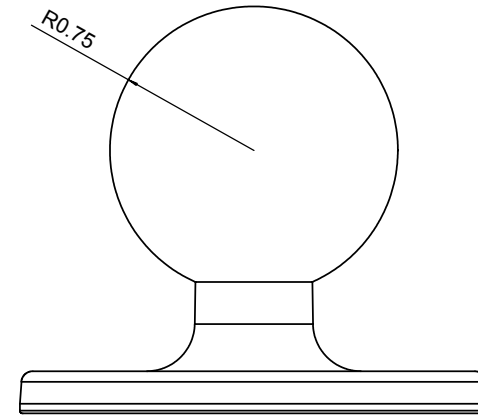
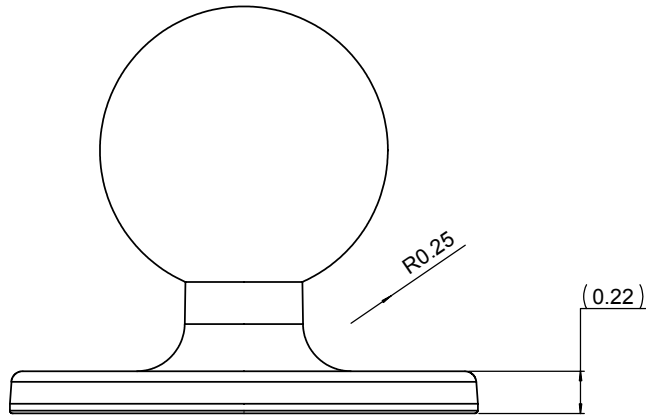


THE INFORMATION CONTAINED IN THIS DRAWING IS THE SOLE PROPERTY OF NATIONAL PRODUCTS INC. ANY REPRODUCTION IN PART OR WHOLE WITHOUT THE WRITTEN PERMISSION OF NATIONAL PRODUCTS INC. IS PROHIBITED.

REVISIONS		DATE	APPROVED
REV.	DESCRIPTION		



UNLESS OTHERWISE SPECIFIED DIMENSIONS ARE IN INCHES TOLERANCES ARE: FRACTIONS: DECIMALS ANGLES + 1/32 .XX+ .06 + -1 DEG. .XXX+ .030	CAD GENERATED DRAWING. DO NOT MANUALLY UPDATE		NATIONAL PRODUCTS INC.	
	APPROVALS	DATE	RAM 2.43" DIA. BASE WITH 1 1/2" DIA. RUBBER BALL	
DRAWN	JDC	01/19/01	MFG. NO. RAM-202	
CHECKED	CMR	04/20/01	REV.	
MATERIAL	ALUMINUM	RESP. ENG.	SCALE 1 TO 1	
FINISH	BLACK POWDER COAT	QUAL. ENG.	CADD FILE: RAM202 SHEET 1 OF 1	
DO NOT SCALE DRAWING				