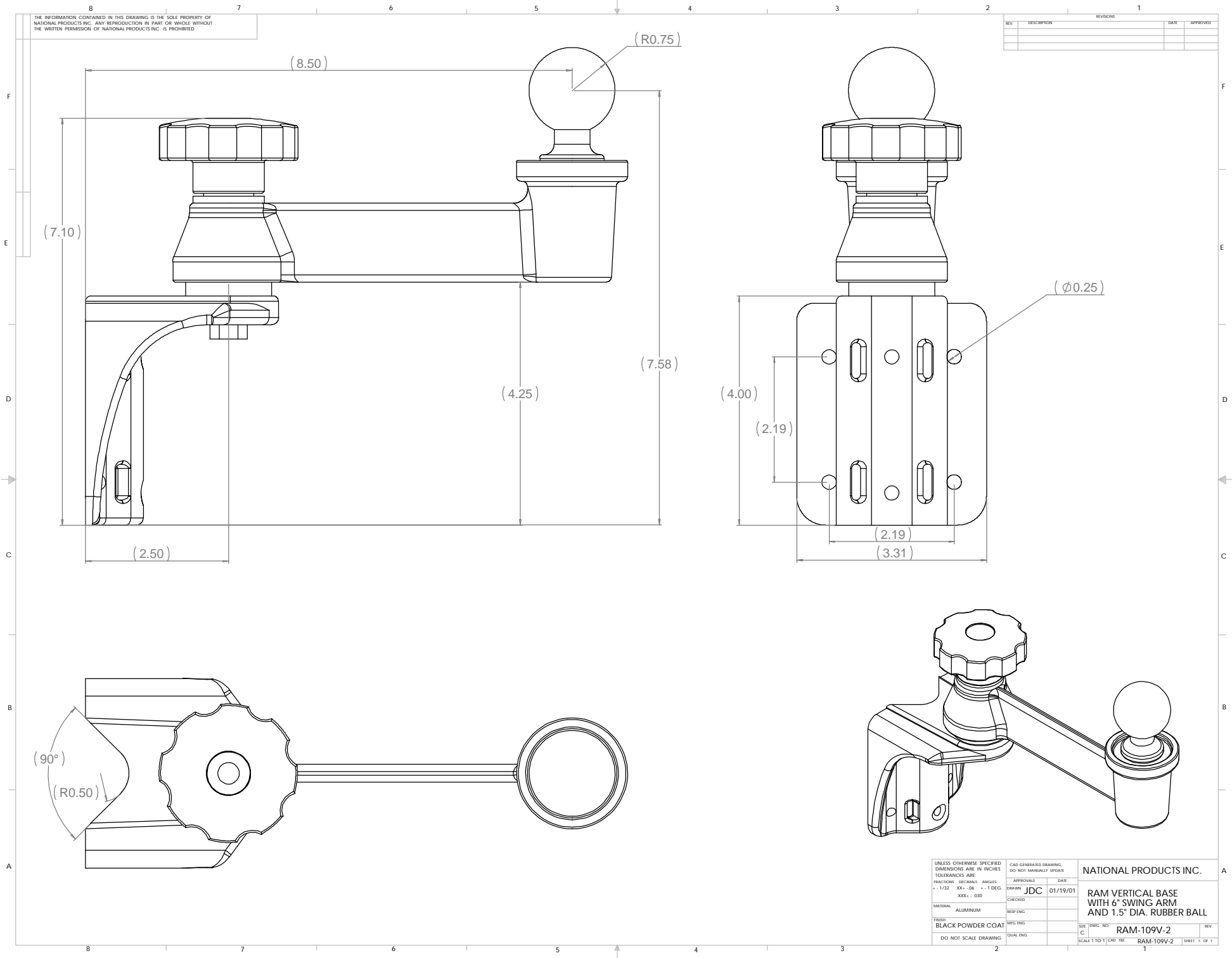


THE INFORMATION CONTAINED IN THIS DRAWING IS THE SOLE PROPERTY OF NATIONAL PRODUCTS INC. ANY REPRODUCTION IN PART OR WHOLE WITHOUT THE WRITTEN PERMISSION OF NATIONAL PRODUCTS INC. IS PROHIBITED.

REV	DESCRIPTION	REVISIONS	DATE	APPROVED



<small>UNLESS OTHERWISE SPECIFIED DIMENSIONS ARE IN INCHES TOLERANCES ARE: FRACIONS DECIMALS ANGLES - 1/32 - .001 - .01 - 1 DEG XXX - .030</small>	<small>ISO GENERATED DRAWING DO NOT MANUALLY UPDATE</small>	NATIONAL PRODUCTS INC.	
	<small>APPROVALS</small> <small>DATE</small>	RAM VERTICAL BASE WITH 6" SWING ARM AND 1.5" DIA. RUBBER BALL	
	<small>DRAWN</small> JDC <small>01/19/01</small> <small>CHECKED</small> <small>RESP ENG</small> <small>MFG ENG</small> <small>DUAL ENG</small>	<small>SIZE</small> DWG NOT <small>C</small> RAM-109V-2 <small>REV</small>	
	<small>DID NOT SCALE DRAWING</small>	<small>SCALE 1 TO 1</small> <small>CAD FILE</small> RAM-109V-2 <small>SHEET 1 OF 1</small>	