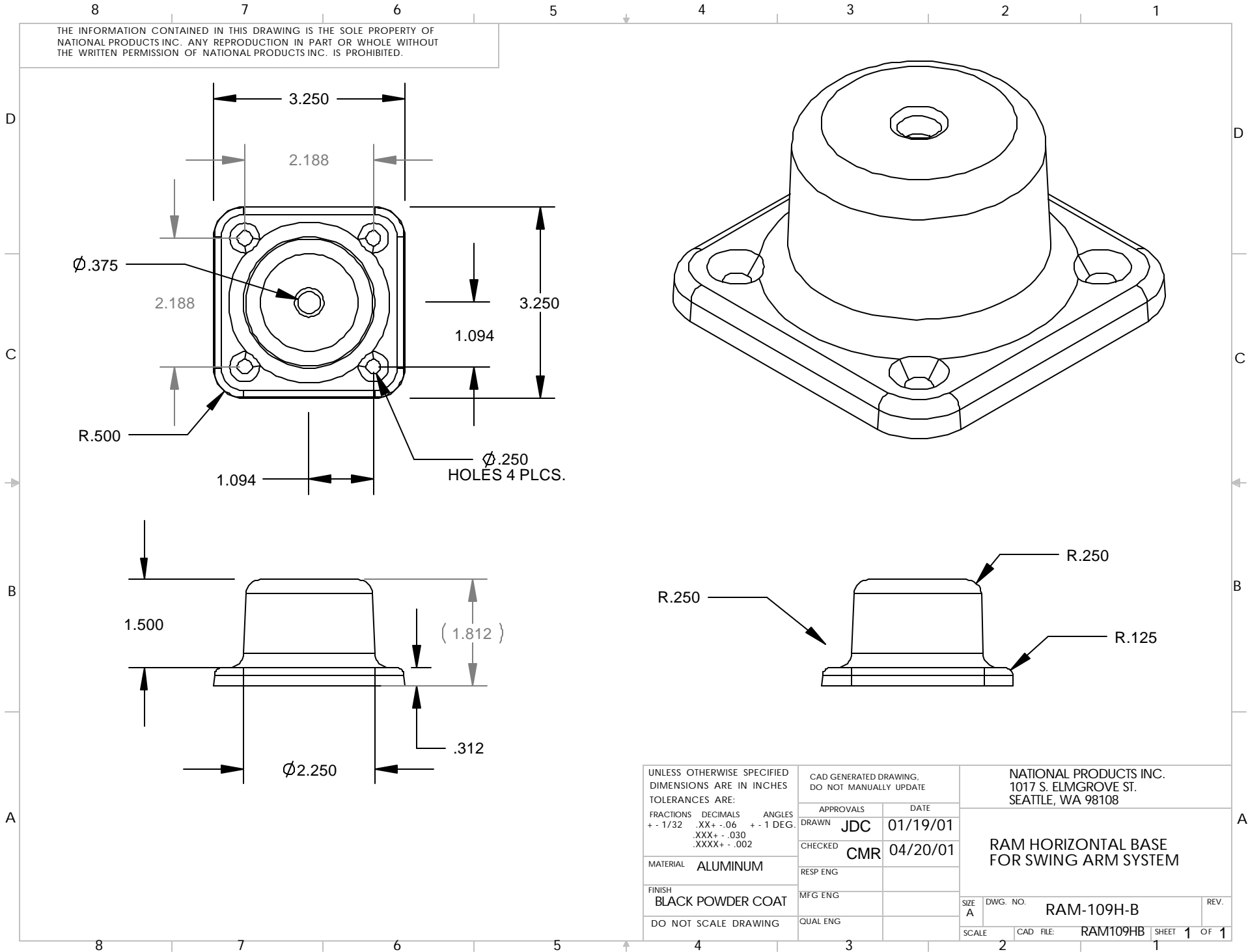


THE INFORMATION CONTAINED IN THIS DRAWING IS THE SOLE PROPERTY OF NATIONAL PRODUCTS INC. ANY REPRODUCTION IN PART OR WHOLE WITHOUT THE WRITTEN PERMISSION OF NATIONAL PRODUCTS INC. IS PROHIBITED.



UNLESS OTHERWISE SPECIFIED DIMENSIONS ARE IN INCHES TOLERANCES ARE: FRACTIONS DECIMALS ANGLES + - 1/32 .XX+ -.06 + - 1 DEG. .XXX+ -.030 .XXXX+ -.002	CAD GENERATED DRAWING. DO NOT MANUALLY UPDATE		NATIONAL PRODUCTS INC. 1017 S. ELMGROVE ST. SEATTLE, WA 98108			
	APPROVALS DATE		RAM HORIZONTAL BASE FOR SWING ARM SYSTEM			
	DRAWN JDC	01/19/01				
	CHECKED CMR	04/20/01				
MATERIAL ALUMINUM	RESP ENG	MFG ENG	QVAL ENG	SIZE A	DWG. NO. RAM-109H-B	REV.
FINISH BLACK POWDER COAT	DO NOT SCALE DRAWING	SCALE	CAD FILE: RAM109HB	SHEET 1 OF 1		